

# DATA SHEET

## **74AHC123A; 74AHCT123A** Dual retriggerable monostable multivibrator with reset

Product specification  
File under Integrated Circuits, IC06

2000 Mar 15

## Dual retriggerable monostable multivibrator with reset

**74AHC123A;  
74AHCT123A**

### FEATURES

- ESD protection:  
HBM EIA/JESD22-A114-A exceeds 2000 V  
MM EIA/JESD22-A115-A exceeds 200 V  
CDM EIA/JESD22-C101 exceeds 1000 V
- All inputs have Schmitt-trigger actions
- Inputs accept voltages higher than  $V_{CC}$
- For AHC only: operates with CMOS input levels
- For AHCT only: operates with TTL input levels
- Specified from  $-40$  to  $+85$  °C and  $-40$  to  $+125$  °C
- DC triggered from active HIGH or active LOW inputs
- Retriggerable for very long pulses up to 100% duty factor
- Direct reset terminates output pulse
- Output capability: standard (except for  $nR_{EXT}/C_{EXT}$ ).

### DESCRIPTION

The 74AHC/AHCT123A are high-speed Si-gate CMOS devices and are pin compatible with Low power Schottky TTL (LSTTL). They are specified in compliance with JEDEC standard no.7A.

The 74AHC/AHCT123A are dual retriggerable monostable multivibrators with output pulse width control by three methods. The basic pulse time is programmed by selection of an external resistor ( $R_{EXT}$ ) and capacitor ( $C_{EXT}$ ). The external resistor and capacitor are normally connected as shown in Fig.6.

Once triggered, the basic output pulse width may be extended by retriggering the gated active LOW-going edge input ( $n\bar{A}$ ) or the active HIGH-going edge input ( $nB$ ). By repeating this process, the output pulse period ( $nQ = \text{HIGH}$ ,  $n\bar{Q} = \text{LOW}$ ) can be made as long as desired. Alternatively an output delay can be terminated at any time by a LOW-going edge on input  $n\bar{R}_D$ , which also inhibits the triggering.

An internal connection from  $n\bar{R}_D$  to the input gate makes it possible to trigger the circuit by a positive-going signal at input  $n\bar{R}_D$  as shown in the function table. Figs 8 and 9 illustrate pulse control by retriggering and early reset. The basic output pulse width is essentially determined by the value of the external timing components  $R_{EXT}$  and  $C_{EXT}$ . When  $C_{EXT} \geq 10$  nF, the typical output pulse width is defined as:  $t_W = R_{EXT} \times C_{EXT}$  where  $t_W$  = pulse width in ns;  $R_{EXT}$  = external resistor in k $\Omega$ ;  $C_{EXT}$  = external capacitor in pF. Schmitt-trigger action at all inputs makes the circuit highly tolerant to slower input rise and fall times. The '123' is identical to the '423' but can be triggered via the reset input.

## Dual retriggerable monostable multivibrator with reset

74AHC123A;  
74AHCT123A

### QUICK REFERENCE DATA

GND = 0 V;  $T_{amb} = 25\text{ }^{\circ}\text{C}$ ;  $t_r = t_f \leq 3.0\text{ ns}$ .

SYMBOL	PARAMETER	CONDITIONS	TYPICAL		UNIT
			AHC	AHCT	
$t_{PHL}/t_{PLH}$	propagation delay $n\bar{A}, nB$ to $nQ, n\bar{Q}$	$C_L = 15\text{ pF}$ ; $V_{CC} = 5\text{ V}$ ; $R_{EXT} = 5\text{ k}\Omega$ ; $C_{EXT} = 0\text{ pF}$	5.1	5.0	ns
	$n\bar{R}_D$ to $nQ, n\bar{Q}$		5.6	5.2	ns
$C_I$	input capacitance	$V_I = V_{CC}$ or GND	5	3	pF
$C_O$	output capacitance		4	4	pF
$C_{PD}$	power dissipation capacitance	$C_L = 50\text{ pF}$ ; $f = 1\text{ MHz}$ ; notes 1 and 2	57	58	pF

### Notes

- $C_{PD}$  is used to determine the dynamic power dissipation ( $P_D$  in  $\mu\text{W}$ ).  


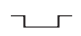
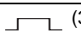

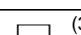
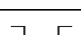
$$P_D = C_{PD} \times V_{CC}^2 \times f_i + \sum (C_L \times V_{CC}^2 \times f_o) \times C_{EXT} \times V_{CC}^2 \times f_o + D \times 16 \times V_{CC}$$
where:  
 $f_i$  = input frequency in MHz;  
 $f_o$  = output frequency in MHz;  
 $\sum (C_L \times V_{CC}^2 \times f_o)$  = sum of outputs;  
 $D$  = duty factor in %;  
 $C_L$  = output load capacitance in pF;  
 $C_{EXT}$  = timing capacitance in pF;  
 $V_{CC}$  = supply voltage in Volts.
- The condition is  $V_I = \text{GND}$  to  $V_{CC}$ .

## Dual retriggerable monostable multivibrator with reset

74AHC123A;  
74AHCT123A

### FUNCTION TABLE

See note 1.

INPUTS			OUTPUTS	
$n\bar{R}_D$	$n\bar{A}$	$nB$	$nQ$	$n\bar{Q}$
L	X	X	L	H
X	H	X	L <sup>(2)</sup>	H <sup>(2)</sup>
X	X	L	L <sup>(2)</sup>	H <sup>(2)</sup>
H	L	↑	 (3)	 (4)
H	↓	H	 (3)	 (4)
↑	L	H	 (3)	 (4)

### Notes

- H = HIGH voltage level;  
L = LOW voltage level;  
X = don't care;  
↑ = LOW-to-HIGH CP transition;  
↓ = HIGH-to-LOW CP transition.
- If the monostable multivibrator was triggered before this condition was established, the pulse will be continued as programmed.
- One HIGH-level output pulse.
- One LOW-level output pulse.

### ORDERING INFORMATION

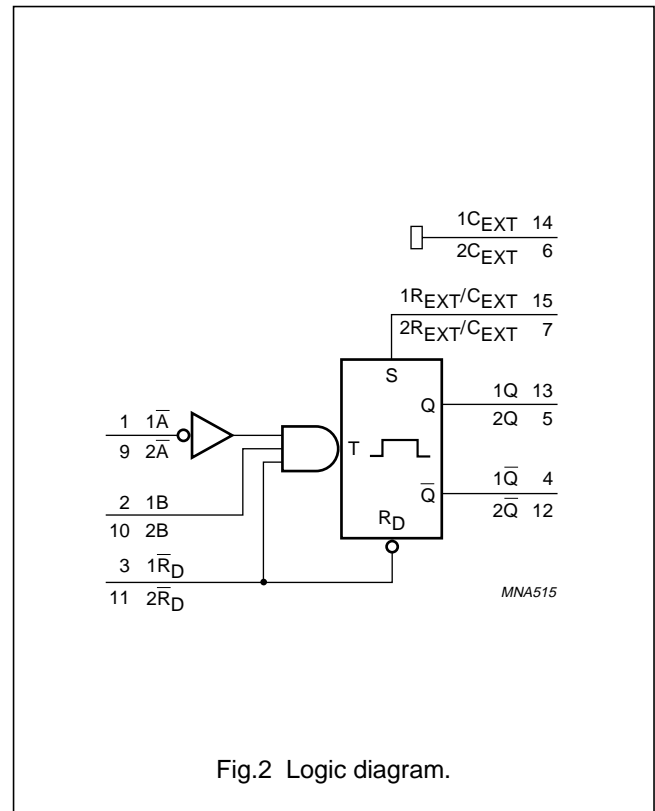
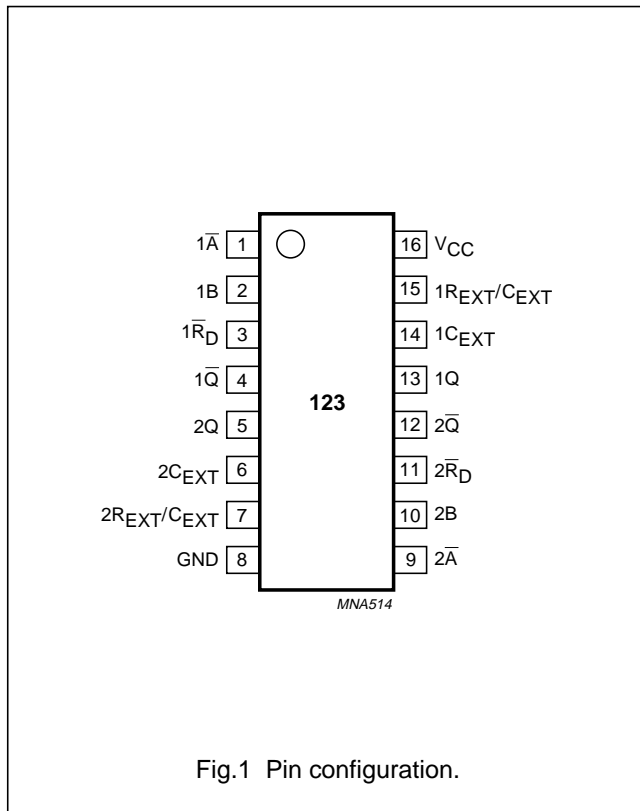
TYPE NUMBER	PACKAGES				
	TEMPERATURE RANGE	PINS	PACKAGE	MATERIAL	CODE
74AHC123AD	-40 to +125 °C	16	SO	plastic	SOT109-1
74AHC123APW		16	TSSOP	plastic	SOT403-1
74AHCT123AD		16	SO	plastic	SOT109-1
74AHCT123APW		16	TSSOP	plastic	SOT403-1

Dual retriggerable monostable multivibrator with reset

74AHC123A;  
74AHCT123A

PINNING

PIN	SYMBOL	DESCRIPTION
1, 9	$1\bar{A}, 2\bar{A}$	trigger inputs (negative-edge triggered)
2, 10	1B, 2B	trigger inputs (positive-edge triggered)
3, 11	$1\bar{R}_D, 2\bar{R}_D$	direct reset LOW and trigger action at positive edge
4, 12	$1\bar{Q}, 2\bar{Q}$	outputs (active LOW)
5, 13	2Q, 1Q	outputs (active HIGH)
6, 14	$2C_{EXT}, 1C_{EXT}$	external capacitor connection
7, 15	$2R_{EXT}/C_{EXT}, 1R_{EXT}/C_{EXT}$	external resistor/capacitor connection
8	GND	ground (0 V)
16	$V_{CC}$	DC supply voltage



Dual retriggerable monostable multivibrator with reset

74AHC123A;  
74AHCT123A

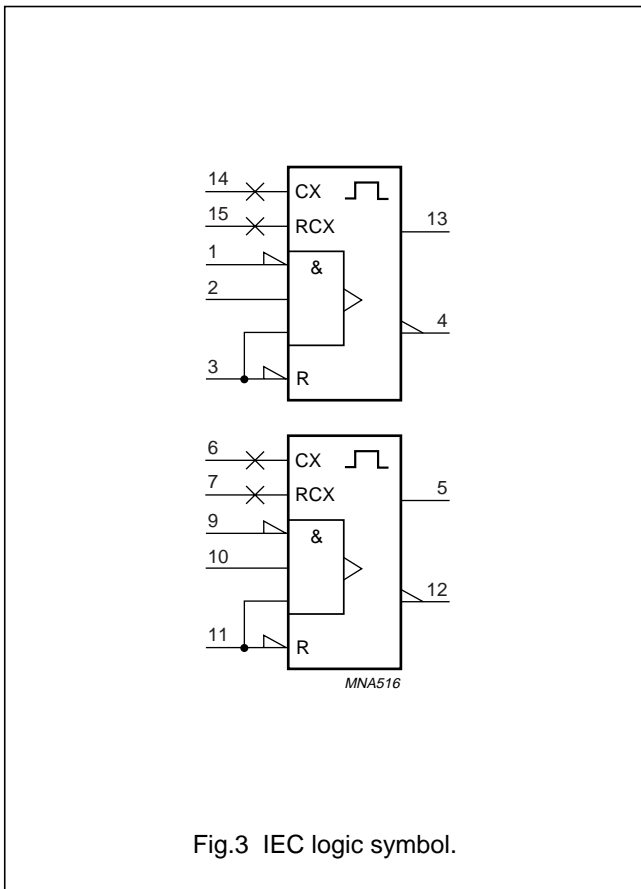


Fig.3 IEC logic symbol.

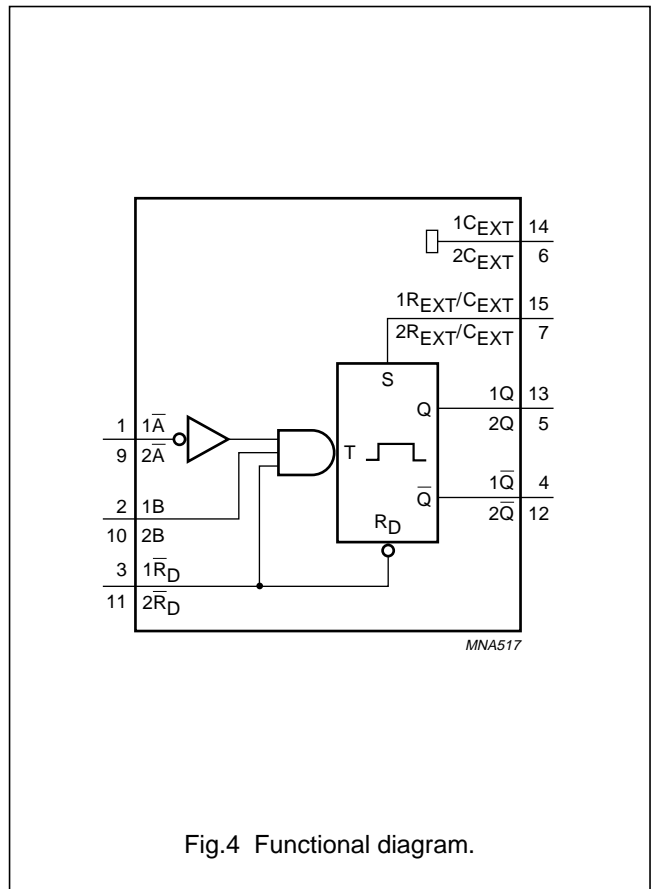
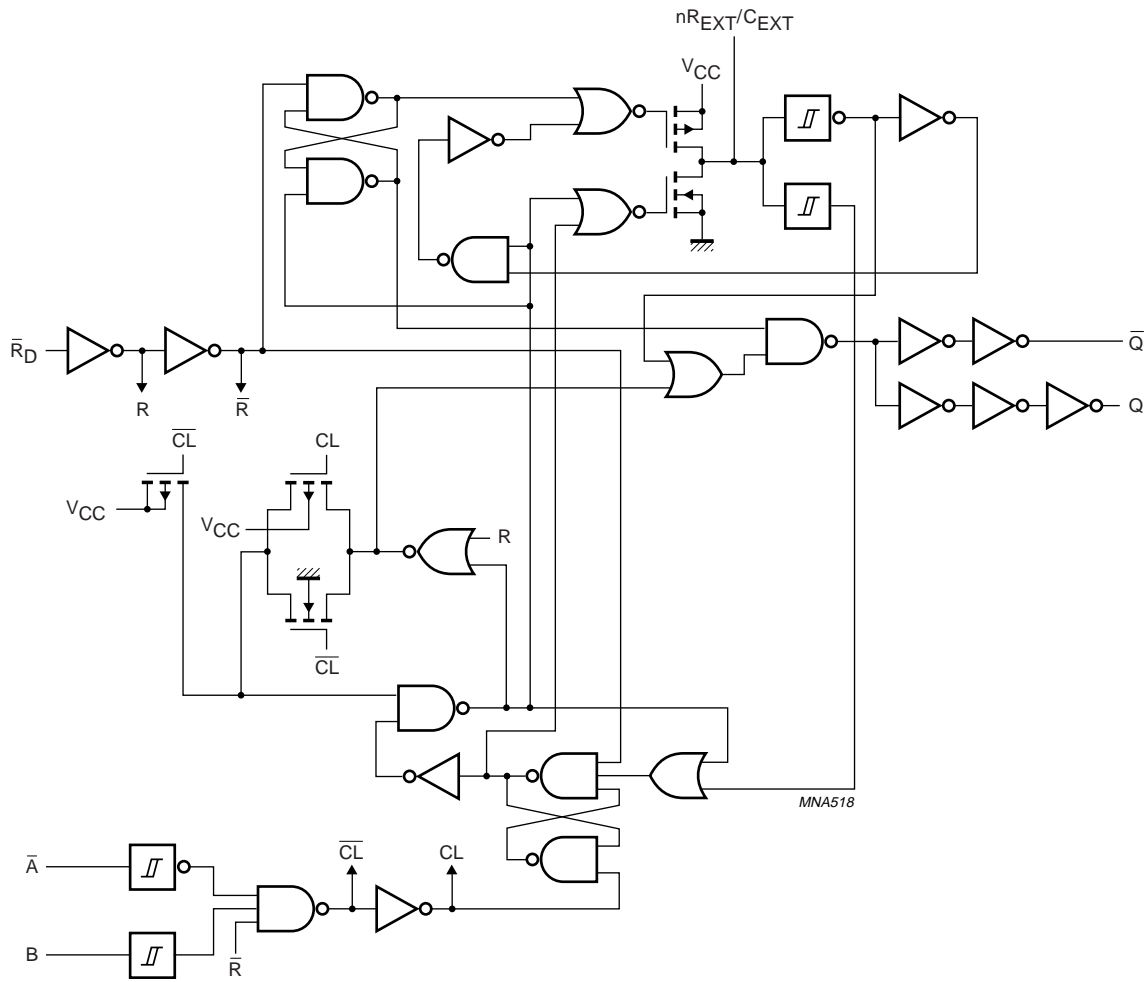


Fig.4 Functional diagram.

Dual retriggerable monostable multivibrator with reset

74AHC123A;  
74AHCT123A



For minimum noise generation, it is recommended to ground pins 6 (2CEXT) and 14 (1CEXT) externally to pin 8 (GND).

Fig.5 Logic diagram (one flip-flop).

Dual retriggerable monostable multivibrator with reset

74AHC123A;  
74AHCT123A

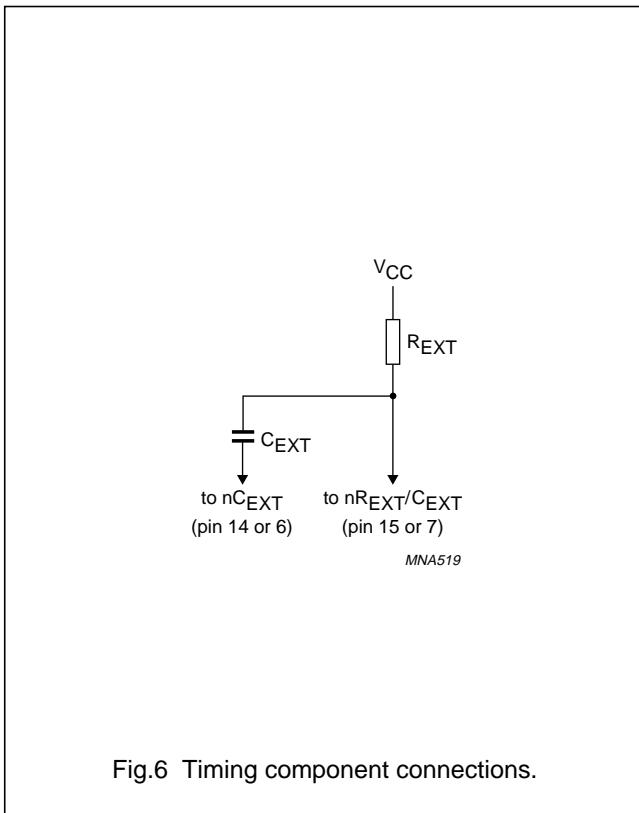


Fig.6 Timing component connections.

RECOMMENDED OPERATING CONDITIONS

SYMBOL	PARAMETER	CONDITIONS	74AHC			74AHCT			UNIT
			MIN.	TYP.	MAX.	MIN.	TYP.	MAX.	
$V_{CC}$	DC supply voltage		2.0	5.0	5.5	4.5	5.0	5.5	V
$V_I$	input voltage		0	–	5.5	0	–	5.5	V
$V_O$	output voltage		0	–	$V_{CC}$	0	–	$V_{CC}$	V
$T_{amb}$	operating ambient temperature	see DC and AC characteristics per device	–40	+25	+85	–40	+25	+85	°C
			–40	+25	+125	–40	+25	+125	°C
$t_r, t_f$	input rise and fall time ratios	$V_{CC} = 3.3 \pm 0.3 V$	–	–	100	–	–	–	ns/V
		$V_{CC} = 5 \pm 0.5 V$	–	–	20	–	–	20	ns/V
$R_{EXT}$	external timing resistor	$V_{CC} = 2 V$	5	–	–	5	–	–	k $\Omega$
		$V_{CC} > 3 V$	1	–	–	1	–	–	k $\Omega$
$C_{EXT}$	external timing capacitor		no limits						pF



## Dual retriggerable monostable multivibrator with reset

74AHC123A;  
74AHCT123A

### LIMITING VALUES

In accordance with the Absolute Maximum Rating System (IEC 60134); voltages are referenced to GND (ground = 0 V).

SYMBOL	PARAMETER	CONDITIONS	MIN.	MAX.	UNIT
$V_{CC}$	DC supply voltage		-0.5	+7.0	V
$V_I$	input voltage		-0.5	+7.0	V
$I_{IK}$	DC input diode current	$V_I < -0.5$ V; note 1	-	-20	mA
$I_{OK}$	DC output clamping diode current	$V_O < -0.5$ V or $V_O > V_{CC} + 0.5$ V; note 1	-	$\pm 20$	mA
$I_O$	DC output sink current	$-0.5$ V $< V_O < V_{CC} + 0.5$ V	-	$\pm 25$	mA
$I_{CC}$	DC $V_{CC}$ or GND current		-	$\pm 75$	mA
$T_{stg}$	storage temperature		-65	+150	°C
$P_D$	power dissipation per package	for temperature range: -40 to +125 °C; note 2	-	500	mW

### Notes

1. The input and output voltage ratings may be exceeded if the input and output current ratings are observed.
2. For SO packages: above 70 °C the value of  $P_D$  derates linearly with 8 mW/K.  
For TSSOP packages: above 60 °C the value of  $P_D$  derates linearly with 5.5 mW/K.

Dual retriggerable monostable multivibrator  
with reset74AHC123A;  
74AHCT123A

## DC CHARACTERISTICS

## Family 74AHC

Over recommended operating conditions; voltages are referenced to GND (ground = 0 V).

SYMBOL	PARAMETER	TEST CONDITIONS	T <sub>amb</sub> (°C)								UNIT	
			OTHER	V <sub>CC</sub> (V)	25			-40 to +85		-40 to +125		
					MIN.	TYP.	MAX.	MIN.	MAX.	MIN.		MAX.
V <sub>IH</sub>	HIGH-level input voltage		2.0	1.5	–	–	1.5	–	1.5	–	V	
			3.0	2.1	–	–	2.1	–	2.1	–	V	
			5.5	3.85	–	–	3.85	–	3.85	–	V	
V <sub>IL</sub>	LOW-level input voltage		2.0	–	–	0.5	–	0.5	–	0.5	V	
			3.0	–	–	0.9	–	0.9	–	0.9	V	
			5.5	–	–	1.65	–	1.65	–	1.65	V	
V <sub>OH</sub>	HIGH-level output voltage	V <sub>I</sub> = V <sub>IH</sub> or V <sub>IL</sub> ; I <sub>O</sub> = -50 µA	2.0	1.9	2.0	–	1.9	–	1.9	–	V	
			3.0	2.9	3.0	–	2.9	–	2.9	–	V	
			4.5	4.4	4.5	–	4.4	–	4.4	–	V	
		V <sub>I</sub> = V <sub>IH</sub> or V <sub>IL</sub> ; I <sub>O</sub> = -4.0 mA	3.0	2.58	–	–	2.48	–	2.40	–	V	
		V <sub>I</sub> = V <sub>IH</sub> or V <sub>IL</sub> ; I <sub>O</sub> = -8.0 mA	4.5	3.94	–	–	3.8	–	3.70	–	V	
V <sub>OL</sub>	LOW-level output voltage	V <sub>I</sub> = V <sub>IH</sub> or V <sub>IL</sub> ; I <sub>O</sub> = 50 µA	2.0	–	0	0.1	–	0.1	–	0.1	V	
			3.0	–	0	0.1	–	0.1	–	0.1	V	
			4.5	–	0	0.1	–	0.1	–	0.1	V	
		V <sub>I</sub> = V <sub>IH</sub> or V <sub>IL</sub> ; I <sub>O</sub> = 4.0 mA	3.0	–	–	0.36	–	0.44	–	0.55	V	
		V <sub>I</sub> = V <sub>IH</sub> or V <sub>IL</sub> ; I <sub>O</sub> = 8.0 mA	4.5	–	–	0.36	–	0.44	–	0.55	V	
I <sub>I</sub>	input leakage current; R <sub>EXT</sub> /C <sub>EXT</sub>	V <sub>I</sub> = V <sub>CC</sub> or GND; note 1	5.5	–	–	±0.25	–	±2.5	–	±10.0	µA	
	input leakage current; n $\bar{A}$ , nB, n $\bar{R}_D$	V <sub>I</sub> = V <sub>CC</sub> or GND	5.5	–	–	±0.1	–	±1.0	–	±2.0	µA	
I <sub>CC</sub>	quiescent supply current	V <sub>I</sub> = V <sub>CC</sub> or GND; I <sub>O</sub> = 0	5.5	–	–	4.0	–	40	–	80	µA	
	quiescent supply current active state (per circuit)	V <sub>I</sub> = V <sub>CC</sub> or GND; note 1	3	–	160	250	–	280	–	280	µA	
			4.5	–	380	500	–	650	–	650	µA	
			5.5	–	560	750	–	975	–	975	µA	
C <sub>I</sub>	input capacitance		–	–	5	10	–	10	–	10	pF	

## Note

1. Voltage on pin nR<sub>EXT</sub>/C<sub>EXT</sub> = 0.5 × V<sub>CC</sub> and pin R<sub>EXT</sub>/C<sub>EXT</sub> in OFF-state during test.

Dual retriggerable monostable multivibrator  
with reset74AHC123A;  
74AHCT123A

## Family 74AHCT

Over recommended operating conditions; voltage are referenced to GND (ground = 0 V).

SYMBOL	PARAMETER	TEST CONDITIONS		T <sub>amb</sub> (°C)						UNIT	
		OTHER	V <sub>CC</sub> (V)	25			-40 to +85		-40 to +125		
				MIN.	TYP.	MAX.	MIN.	MAX.	MIN.		MAX.
V <sub>IH</sub>	HIGH-level input voltage		4.5 to 5.5	2.0	–	–	2.0	–	2.0	–	V
V <sub>IL</sub>	LOW-level input voltage		4.5 to 5.5	–	–	0.8	–	0.8	–	0.8	V
V <sub>OH</sub>	HIGH-level output voltage	V <sub>I</sub> = V <sub>IH</sub> or V <sub>IL</sub> ; I <sub>O</sub> = –50 μA	4.5	4.4	4.5	–	4.4	–	4.4	–	V
		V <sub>I</sub> = V <sub>IH</sub> or V <sub>IL</sub> ; I <sub>O</sub> = –8.0 mA	4.5	3.94	–	–	3.8	–	3.70	–	V
V <sub>OL</sub>	LOW-level output voltage	V <sub>I</sub> = V <sub>IH</sub> or V <sub>IL</sub> ; I <sub>O</sub> = 50 μA	4.5	–	0	0.1	–	0.1	–	0.1	V
		V <sub>I</sub> = V <sub>IH</sub> or V <sub>IL</sub> ; I <sub>O</sub> = 8.0 mA	4.5	–	–	0.36	–	0.44	–	0.55	V
I <sub>I</sub>	input leakage current; R <sub>EXT</sub> /C <sub>EXT</sub>	V <sub>I</sub> = V <sub>CC</sub> or GND; note 1	5.5	–	–	±0.25	–	±2.5	–	±10.0	μA
	input leakage current; n $\bar{A}$ , nB, n $\bar{R}_D$	V <sub>I</sub> = V <sub>CC</sub> or GND	5.5	–	–	±0.1	–	±1.0	–	±2.0	μA
I <sub>CC</sub>	quiescent supply current	V <sub>I</sub> = V <sub>CC</sub> or GND; I <sub>O</sub> = 0	5.5	–	–	4.0	–	40	–	80	μA
	quiescent supply current active state (per circuit)	V <sub>I</sub> = V <sub>CC</sub> or GND; note 1	4.5	–	380	500	–	650	–	650	μA
			5.5	–	560	750	–	975	–	975	μA
C <sub>I</sub>	input capacitance		–	–	3	10	–	10	–	10	pF

## Note

1. Voltage on pin nR<sub>EXT</sub>/C<sub>EXT</sub> = 0.5 × V<sub>CC</sub> and pin R<sub>EXT</sub>/C<sub>EXT</sub> in OFF-state during test.

Dual retriggerable monostable multivibrator  
with reset74AHC123A;  
74AHCT123A

## AC CHARACTERISTICS

## Type 74AHC123A

GND = 0 V;  $t_r = t_f \leq 3.0$  ns.

SYMBOL	PARAMETER	TEST CONDITIONS		$T_{amb}$ (°C)						UNIT	
		WAVEFORMS	$C_L$	25			-40 to +85		-40 to +125		
				MIN.	TYP.	MAX.	MIN.	MAX.	MIN.		MAX.
<b><math>V_{CC} = 3.0</math> to <math>3.6</math> V; note 1</b>											
$t_{PHL}/t_{PLH}$	propagation delay; $n\bar{A}$ , nB to nQ, $n\bar{Q}$	$C_{EXT} = 0$ pF; $R_{EXT} = 5$ k $\Omega$ ; see Figs 7 and 11	15 pF	–	7.4	20.6	1.0	24.0	1.0	26.0	ns
	propagation delay; $n\bar{R}_D$ to nQ, $n\bar{Q}$	$C_{EXT} = 0$ pF; $R_{EXT} = 5$ k $\Omega$ ; see Figs 7 and 11		–	8.2	22.4	1.0	26.0	1.0	26.0	ns
	propagation delay; $n\bar{R}_D$ to nQ, $n\bar{Q}$ (reset)	$C_{EXT} = 0$ pF; $R_{EXT} = 5$ k $\Omega$ ; see Figs 7 and 11		–	6.4	15.8	1.0	18.5	1.0	20.0	ns
	propagation delay; $n\bar{A}$ , nB to nQ, $n\bar{Q}$	$C_{EXT} = 0$ pF; $R_{EXT} = 5$ k $\Omega$ ; see Figs 7 and 11	50 pF	–	10.5	24.1	1.0	27.5	1.0	30.0	ns
	propagation delay; $n\bar{R}_D$ to nQ, $n\bar{Q}$	$C_{EXT} = 0$ pF; $R_{EXT} = 5$ k $\Omega$ ; see Figs 7 and 11		–	11.7	25.9	1.0	29.5	1.0	32.0	ns
	propagation delay; $n\bar{R}_D$ to nQ, $n\bar{Q}$ (reset)	$C_{EXT} = 0$ pF; $R_{EXT} = 5$ k $\Omega$ ; see Figs 7 and 11		–	9.2	19.3	1.0	22.0	1.0	24.5	ns
$t_w$	trigger pulse width; nA = LOW	see Fig 8		5.0	–	–	5.0	–	5.0	–	ns
	trigger pulse width; nB = HIGH	see Fig 8		5.0	–	–	5.0	–	5.0	–	ns
	reset pulse width; $n\bar{R}_D =$ LOW	see Fig 9		5.0	–	–	5.0	–	5.0	–	ns
	output pulse width; nQ = HIGH; $n\bar{Q} =$ LOW	$C_{EXT} = 28$ pF; $R_{EXT} = 2$ k $\Omega$ ; note 3; see Figs 8, 9 and 10		–	115	240	–	300	–	300	ns
		$C_{EXT} = 0.01$ $\mu$ F; $R_{EXT} = 10$ k $\Omega$ ; note 3; see Figs 8, 9 and 10		90	100	110	90	110	85	115	$\mu$ s
		$C_{EXT} = 0.1$ $\mu$ F; $R_{EXT} = 10$ k $\Omega$ ; note 3; see Figs 8, 9 and 10		0.9	1	1.1	0.9	1.1	0.85	1.15	ms

Dual retriggerable monostable multivibrator  
with reset74AHC123A;  
74AHCT123A

SYMBOL	PARAMETER	TEST CONDITIONS		T <sub>amb</sub> (°C)						UNIT	
		WAVEFORMS	C <sub>L</sub>	25			-40 to +85		-40 to +125		
				MIN.	TYP.	MAX.	MIN.	MAX.	MIN.		MAX.
<b>V<sub>CC</sub> = 3.0 to 3.6 V; note 1</b>											
t <sub>rt</sub>	retrigger time; n $\bar{A}$ to nB	C <sub>EXT</sub> = 100 pF; R <sub>EXT</sub> = 1 k $\Omega$ ; see Figs 8, 9 and 10	50 pF	–	60	–	–	–	–	–	ns
		C <sub>EXT</sub> = 0.01 $\mu$ F; R <sub>EXT</sub> = 1 k $\Omega$ ; see Figs 8, 9 and 10		–	1.5	–	–	–	–	–	$\mu$ s
<b>V<sub>CC</sub> = 4.5 to 5.5 V; note 2</b>											
t <sub>PHL</sub> /t <sub>PLH</sub>	propagation delay; n $\bar{A}$ , nB to nQ, n $\bar{Q}$	C <sub>EXT</sub> = 0 pF; R <sub>EXT</sub> = 5 k $\Omega$ ; see Figs 7 and 11	15 pF	–	5.1	12	1.0	14.0	1.0	15.5	ns
	propagation delay; n $\bar{R}_D$ to nQ, n $\bar{Q}$	C <sub>EXT</sub> = 0 pF; R <sub>EXT</sub> = 5 k $\Omega$ ; see Figs 7 and 11		–	5.6	12.9	1.0	15.0	1.0	16.5	ns
	propagation delay; n $\bar{R}_D$ to nQ, n $\bar{Q}$ (reset)	C <sub>EXT</sub> = 0 pF; R <sub>EXT</sub> = 5 k $\Omega$ ; see Figs 7 and 11		–	4.4	9.4	1.0	11.0	1.0	12.0	ns
	propagation delay; n $\bar{A}$ , nB to nQ, n $\bar{Q}$	C <sub>EXT</sub> = 0 pF; R <sub>EXT</sub> = 5 k $\Omega$ ; see Figs 7 and 11	50 pF	–	7.3	14	1.0	16.0	1.0	17.5	ns
	propagation delay; n $\bar{R}_D$ to nQ, n $\bar{Q}$	C <sub>EXT</sub> = 0 pF; R <sub>EXT</sub> = 5 k $\Omega$ ; see Figs 7 and 11		–	8.1	14.9	1.0	17.0	1.0	19.0	ns
	propagation delay; n $\bar{R}_D$ to nQ, n $\bar{Q}$ (reset)	C <sub>EXT</sub> = 0 pF; R <sub>EXT</sub> = 5 k $\Omega$ ; see Figs 7 and 11		–	6.3	11.4	1.0	13.0	1.0	14.5	ns

Dual retriggerable monostable multivibrator  
with reset

74AHC123A;  
74AHCT123A

SYMBOL	PARAMETER	TEST CONDITIONS		T <sub>amb</sub> (°C)						UNIT	
		WAVEFORMS	C <sub>L</sub>	25			-40 to +85		-40 to +125		
				MIN.	TYP.	MAX.	MIN.	MAX.	MIN.		MAX.
<b>V<sub>CC</sub> = 4.5 to 5.5 V; note 2</b>											
t <sub>w</sub>	trigger pulse width; n $\bar{A}$ = LOW	see Fig 8	50 pF	5.0	–	–	5.0	–	5.0	–	ns
	trigger pulse width; nB = HIGH	see Fig 8		5.0	–	–	5.0	–	5.0	–	ns
	reset pulse width; n $\bar{R}_D$ = LOW	see Fig 9		5.0	–	–	5.0	–	5.0	–	ns
	output pulse width; nQ = HIGH; n $\bar{Q}$ = LOW	C <sub>EXT</sub> = 28 pF; R <sub>EXT</sub> = 2 k $\Omega$ ; note 3; see Figs 8, 9 and 10		–	100	200	–	240	–	240	ns
		C <sub>EXT</sub> = 0.01 $\mu$ F; R <sub>EXT</sub> = 10 k $\Omega$ ; note 3; see Figs 8, 9 and 10		90	100	110	90	110	85	115	$\mu$ s
		C <sub>EXT</sub> = 0.1 $\mu$ F; R <sub>EXT</sub> = 10 k $\Omega$ ; note 3; see Figs 8, 9 and 10		0.9	1	1.1	0.9	1.1	0.85	1.15	ms
t <sub>rt</sub>	retrigger time; n $\bar{A}$ to nB	C <sub>EXT</sub> = 100 pF; R <sub>EXT</sub> = 1 k $\Omega$ ; see Figs 8, 9 and 10	–	39	–	–	–	–	–	ns	
		C <sub>EXT</sub> = 0.01 $\mu$ F; R <sub>EXT</sub> = 1 k $\Omega$ ; see Figs 8, 9 and 10	–	1.2	–	–	–	–	–	$\mu$ s	

Notes

1. Typical values are measured at V<sub>CC</sub> = 3.3 V and T<sub>amb</sub> = 25 °C.
2. Typical values are measured at V<sub>CC</sub> = 5.0 V and T<sub>amb</sub> = 25 °C.
3. For C<sub>EXT</sub>  $\geq$  10 nF the typical value of the pulse width t<sub>w</sub> ( $\mu$ s) = R<sub>EXT</sub> (k $\Omega$ )  $\times$  C<sub>EXT</sub> (nF).

Dual retriggerable monostable multivibrator  
with reset74AHC123A;  
74AHCT123A

## Type 74AHCT123A

GND = 0 V;  $t_r = t_f \leq 3.0$  ns.

SYMBOL	PARAMETER	TEST CONDITIONS		T <sub>amb</sub> (°C)						UNIT	
		WAVEFORMS	C <sub>L</sub>	25			-40 to +85		-40 to +125		
				MIN.	TYP.	MAX.	MIN.	MAX.	MIN.		MAX.
V <sub>CC</sub> = 4.5 to 5.5 V; note 1											
t <sub>PHL</sub> /t <sub>PLH</sub>	propagation delay; n $\bar{A}$ , nB to nQ, n $\bar{Q}$	C <sub>EXT</sub> = 0 pF; R <sub>EXT</sub> = 5 k $\Omega$ ; see Figs 7 and 11	15 pF	–	5.0	12	1.0	14	1.0	15.5	ns
	propagation delay; n $\bar{R}_D$ to nQ, n $\bar{Q}$	C <sub>EXT</sub> = 0 pF; R <sub>EXT</sub> = 5 k $\Omega$ ; see Figs 7 and 11		–	5.2	12.9	1.0	15.0	1.0	16.5	ns
	propagation delay; n $\bar{R}_D$ to nQ, n $\bar{Q}$ (reset)	C <sub>EXT</sub> = 0 pF; R <sub>EXT</sub> = 5 k $\Omega$ ; see Figs 7 and 11		–	4.7	9.4	1.0	11	1.0	12.0	ns
	propagation delay; n $\bar{A}$ , nB to nQ, n $\bar{Q}$	C <sub>EXT</sub> = 0 pF; R <sub>EXT</sub> = 5 k $\Omega$ ; see Figs 7 and 11	50 pF	–	7.1	14	1.0	16	1.0	17.5	ns
	propagation delay; n $\bar{R}_D$ to nQ, n $\bar{Q}$	C <sub>EXT</sub> = 0 pF; R <sub>EXT</sub> = 5 k $\Omega$ ; see Figs 7 and 11		–	7.5	14.9	1.0	17.0	1.0	18.5	ns
	propagation delay; n $\bar{R}_D$ to nQ, n $\bar{Q}$ (reset)	C <sub>EXT</sub> = 0 pF; R <sub>EXT</sub> = 5 k $\Omega$ ; see Figs 7 and 11		–	6.7	11.4	1.0	13	1.0	14.5	ns
t <sub>w</sub>	trigger pulse width; n $\bar{A}$ = LOW	see Fig 8	50 pF	5.0	–	–	5.0	–	5.0	–	ns
	trigger pulse width; nB = HIGH	see Fig 8		5.0	–	–	5.0	–	5.0	–	ns
	reset pulse width; n $\bar{R}_D$ = LOW	see Fig 9		5.0	–	–	5.0	–	5.0	–	ns
	output pulse width; nQ = HIGH; n $\bar{Q}$ = LOW	C <sub>EXT</sub> = 28 pF; R <sub>EXT</sub> = 2 k $\Omega$ ; note 2; see Figs 8, 9 and 10		–	100	200	–	240	–	240	ns
		C <sub>EXT</sub> = 0.01 $\mu$ F; R <sub>EXT</sub> = 10 k $\Omega$ ; note 2; see Figs 8, 9 and 10		90	100	110	90	110	85	115	$\mu$ s
		C <sub>EXT</sub> = 0.1 $\mu$ F; R <sub>EXT</sub> = 10 k $\Omega$ ; note 2; see Figs 8, 9 and 10		0.9	1	1.1	0.9	1.1	0.85	1.15	ms

Dual retriggerable monostable multivibrator  
with reset

74AHC123A;  
74AHCT123A

SYMBOL	PARAMETER	TEST CONDITIONS		T <sub>amb</sub> (°C)						UNIT	
		WAVEFORMS	C <sub>L</sub>	25			-40 to +85		-40 to +125		
				MIN.	TYP.	MAX.	MIN.	MAX.	MIN.		MAX.
<b>V<sub>CC</sub> = 4.5 to 5.5 V; note 1</b>											
t <sub>rt</sub>	retrigger time; nA to nB	C <sub>EXT</sub> = 100 pF; R <sub>EXT</sub> = 1 kΩ; see Figs 8, 9 and 10	50 pF	–	60	–	–	–	–	–	ns
		C <sub>EXT</sub> = 0.01 μF; R <sub>EXT</sub> = 1 kΩ; see Figs 8, 9 and 10		–	1.5	–	–	–	–	–	μs

**Notes**

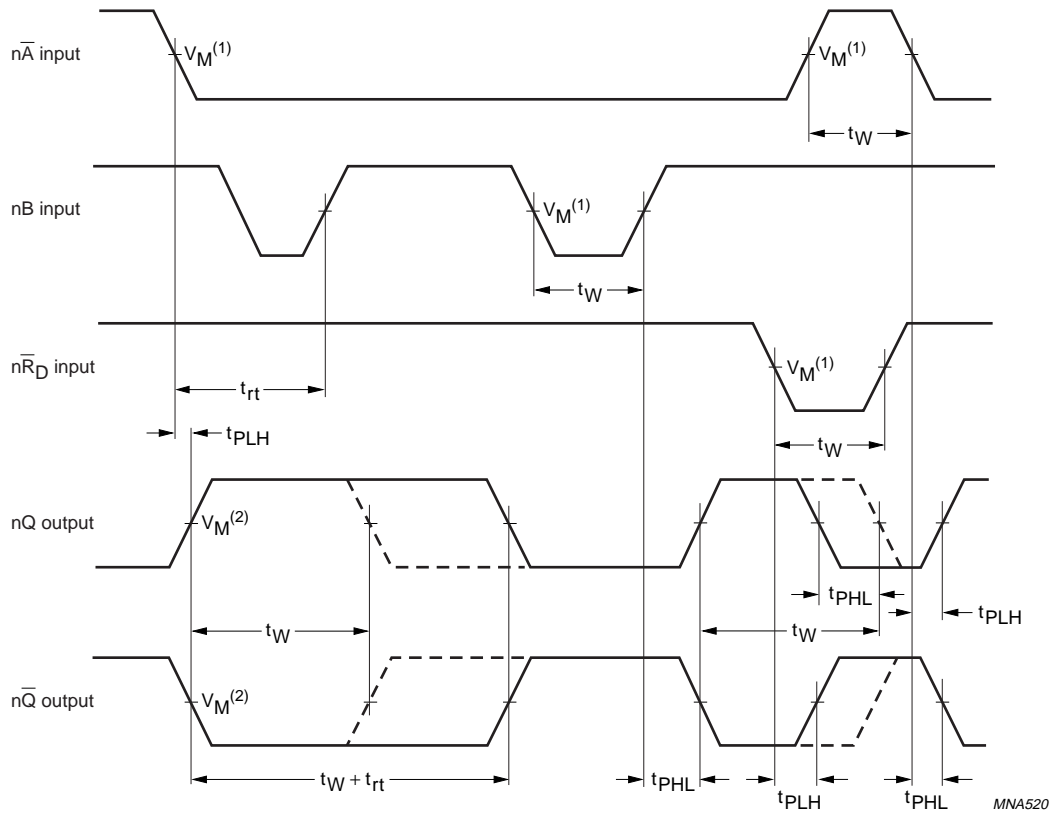
1. Typical values are measured at V<sub>CC</sub> = 5.0 V and T<sub>amb</sub> = 25 °C.
2. For C<sub>EXT</sub> ≥ 10 nF the typical value of the pulse width t<sub>W</sub> (μs) = R<sub>EXT</sub> (kΩ) × C<sub>EXT</sub> (nF).



Dual retriggerable monostable multivibrator with reset

74AHC123A;  
74AHCT123A

AC WAVEFORMS



FAMILY	V <sub>I</sub> INPUT REQUIREMENTS	V <sub>M</sub> (1) INPUT	V <sub>M</sub> (2) OUTPUT
AHC	GND to V <sub>CC</sub>	50% V <sub>CC</sub>	50% V <sub>CC</sub>
AHCT	GND to 3.0 V	1.5 V	50% V <sub>CC</sub>

Fig.7 Input ( $n\bar{A}$ ,  $nB$ ,  $n\bar{R}_D$ ) to output ( $nQ$ ,  $n\bar{Q}$ ) propagation delays, the input and output pulse widths and the input retrigger time.

Dual retriggerable monostable multivibrator with reset

74AHC123A;  
74AHCT123A

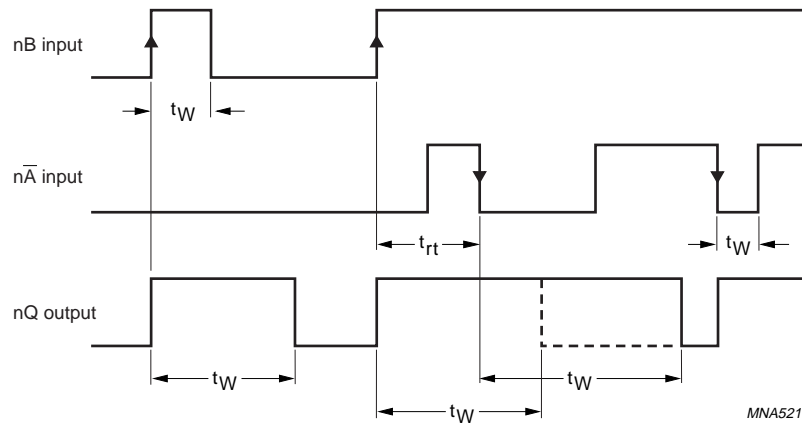


Fig.8 Output pulse control using retrigger pulse; nR<sub>D</sub> = HIGH.

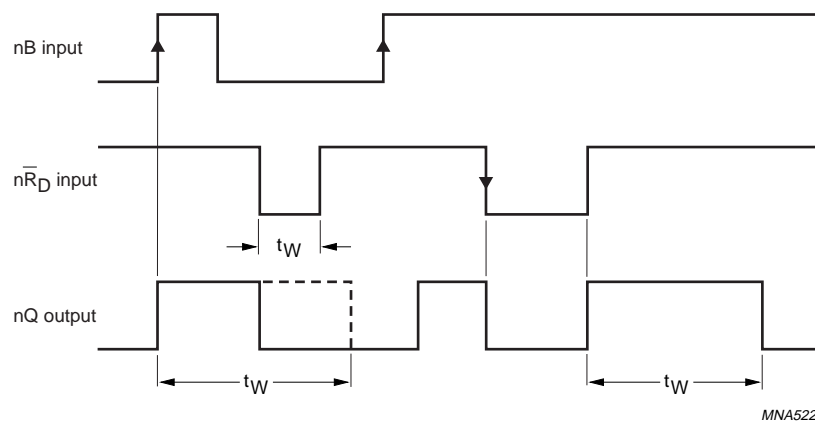


Fig.9 Output pulse control using reset input nR<sub>D</sub>; nA-bar = LOW.

Dual retriggerable monostable multivibrator with reset

74AHC123A;  
74AHCT123A

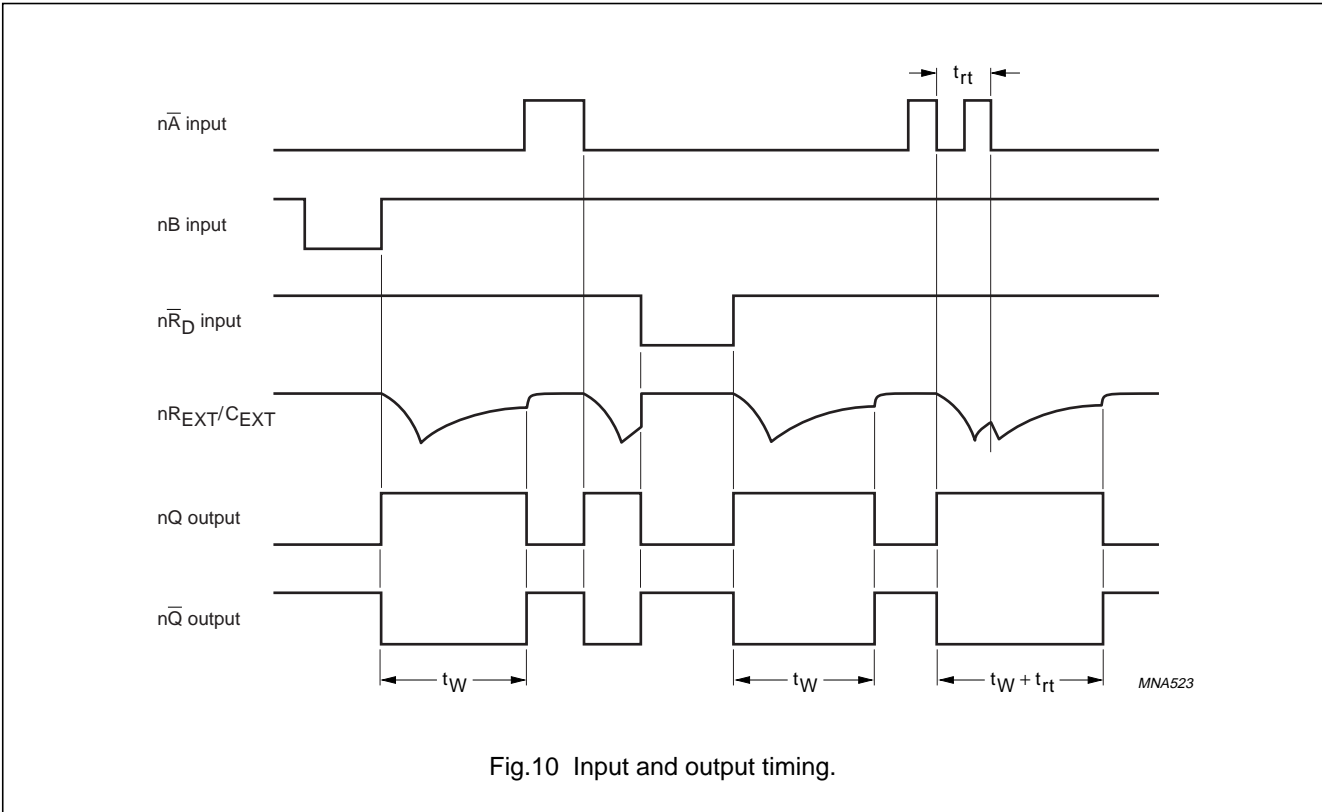
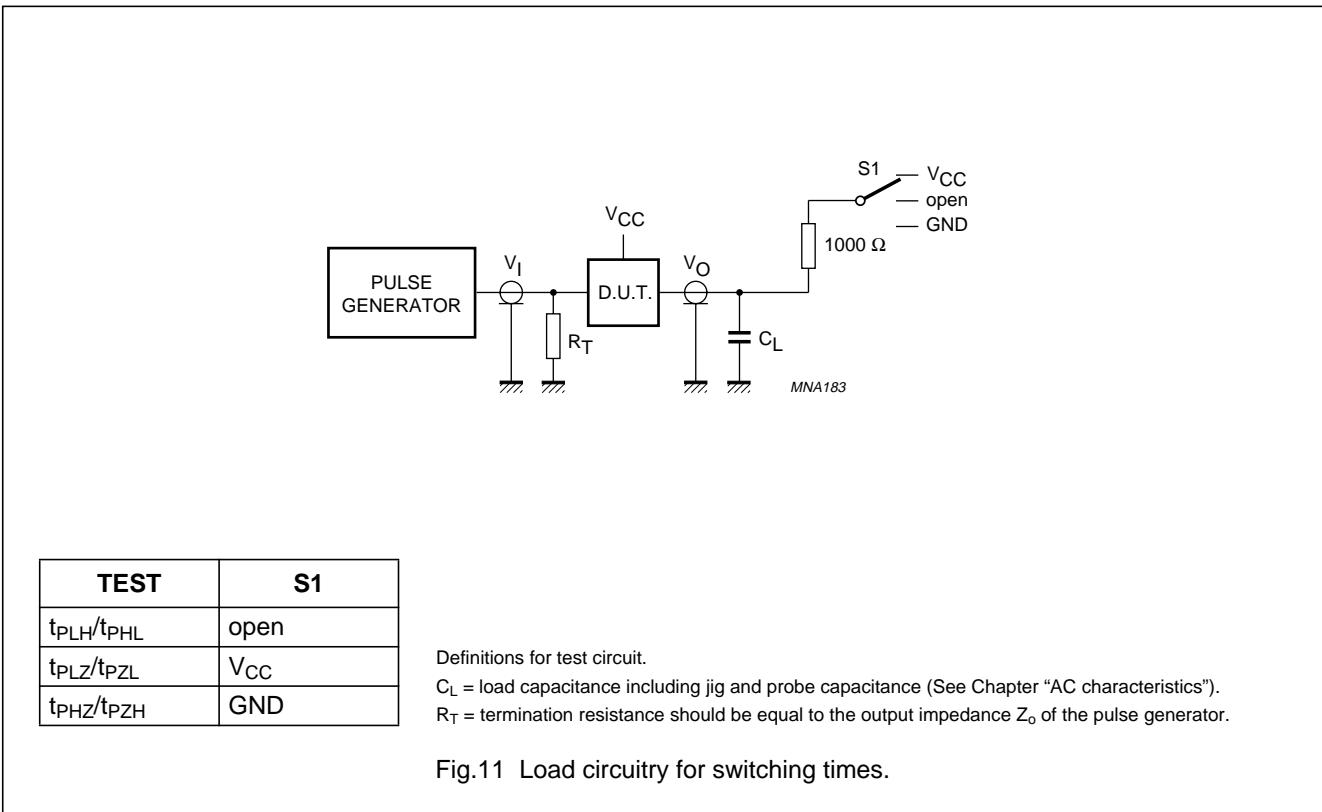


Fig.10 Input and output timing.



TEST	S1
$t_{PLH}/t_{PHL}$	open
$t_{PLZ}/t_{PZL}$	$V_{CC}$
$t_{PHZ}/t_{PZH}$	GND

Definitions for test circuit.

$C_L$  = load capacitance including jig and probe capacitance (See Chapter "AC characteristics").

$R_T$  = termination resistance should be equal to the output impedance  $Z_o$  of the pulse generator.

Fig.11 Load circuitry for switching times.

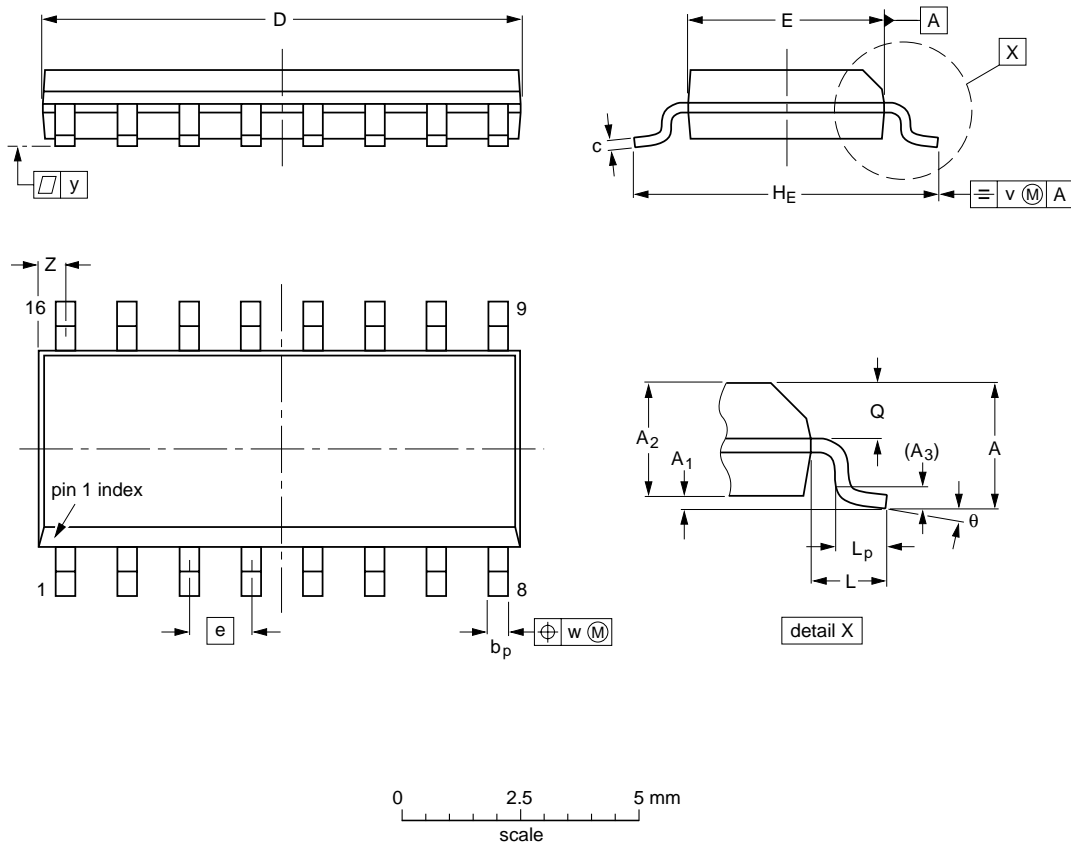
Dual retriggerable monostable multivibrator with reset

74AHC123A;  
74AHCT123A

PACKAGE OUTLINES

SO16: plastic small outline package; 16 leads; body width 3.9 mm

SOT109-1



DIMENSIONS (inch dimensions are derived from the original mm dimensions)

UNIT	A max.	A <sub>1</sub>	A <sub>2</sub>	A <sub>3</sub>	b <sub>p</sub>	c	D <sup>(1)</sup>	E <sup>(1)</sup>	e	H <sub>E</sub>	L	L <sub>p</sub>	Q	v	w	y	Z <sup>(1)</sup>	θ
mm	1.75	0.25 0.10	1.45 1.25	0.25	0.49 0.36	0.25 0.19	10.0 9.8	4.0 3.8	1.27	6.2 5.8	1.05	1.0 0.4	0.7 0.6	0.25	0.25	0.1	0.7 0.3	8° 0°
inches	0.069	0.010 0.004	0.057 0.049	0.01	0.019 0.014	0.0100 0.0075	0.39 0.38	0.16 0.15	0.050	0.244 0.228	0.041	0.039 0.016	0.028 0.020	0.01	0.01	0.004	0.028 0.012	

Note

1. Plastic or metal protrusions of 0.15 mm maximum per side are not included.

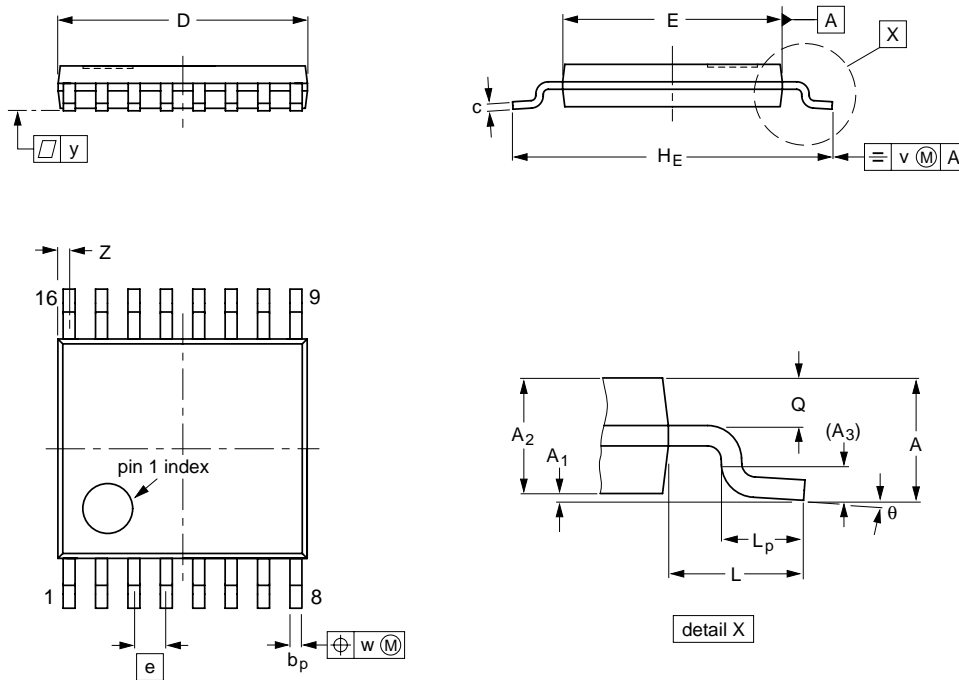
OUTLINE VERSION	REFERENCES			EUROPEAN PROJECTION	ISSUE DATE
	IEC	JEDEC	EIAJ		
SOT109-1	076E07	MS-012			97-05-22- 99-12-27

Dual retriggerable monostable multivibrator with reset

74AHC123A;  
74AHCT123A

TSSOP16: plastic thin shrink small outline package; 16 leads; body width 4.4 mm

SOT403-1



**DIMENSIONS (mm are the original dimensions)**

UNIT	A max.	A <sub>1</sub>	A <sub>2</sub>	A <sub>3</sub>	b <sub>p</sub>	c	D <sup>(1)</sup>	E <sup>(2)</sup>	e	H <sub>E</sub>	L	L <sub>p</sub>	Q	v	w	y	z <sup>(1)</sup>	θ
mm	1.10	0.15 0.05	0.95 0.80	0.25	0.30 0.19	0.2 0.1	5.1 4.9	4.5 4.3	0.65	6.6 6.2	1.0	0.75 0.50	0.4 0.3	0.2	0.13	0.1	0.40 0.06	8° 0°

**Notes**

1. Plastic or metal protrusions of 0.15 mm maximum per side are not included.
2. Plastic interlead protrusions of 0.25 mm maximum per side are not included.

OUTLINE VERSION	REFERENCES				EUROPEAN PROJECTION	ISSUE DATE
	IEC	JEDEC	EIAJ			
SOT403-1		MO-153				95-04-04 99-12-27

## Dual retriggerable monostable multivibrator with reset

74AHC123A;  
74AHCT123A

### SOLDERING

#### Introduction to soldering surface mount packages

This text gives a very brief insight to a complex technology. A more in-depth account of soldering ICs can be found in our *"Data Handbook IC26; Integrated Circuit Packages"* (document order number 9398 652 90011).

There is no soldering method that is ideal for all surface mount IC packages. Wave soldering is not always suitable for surface mount ICs, or for printed-circuit boards with high population densities. In these situations reflow soldering is often used.

#### Reflow soldering

Reflow soldering requires solder paste (a suspension of fine solder particles, flux and binding agent) to be applied to the printed-circuit board by screen printing, stencilling or pressure-syringe dispensing before package placement.

Several methods exist for reflowing; for example, infrared/convection heating in a conveyor type oven. Throughput times (preheating, soldering and cooling) vary between 100 and 200 seconds depending on heating method.

Typical reflow peak temperatures range from 215 to 250 °C. The top-surface temperature of the packages should preferably be kept below 230 °C.

#### Wave soldering

Conventional single wave soldering is not recommended for surface mount devices (SMDs) or printed-circuit boards with a high component density, as solder bridging and non-wetting can present major problems.

To overcome these problems the double-wave soldering method was specifically developed.

If wave soldering is used the following conditions must be observed for optimal results:

- Use a double-wave soldering method comprising a turbulent wave with high upward pressure followed by a smooth laminar wave.
- For packages with leads on two sides and a pitch (e):
  - larger than or equal to 1.27 mm, the footprint longitudinal axis is **preferred** to be parallel to the transport direction of the printed-circuit board;
  - smaller than 1.27 mm, the footprint longitudinal axis **must** be parallel to the transport direction of the printed-circuit board.

The footprint must incorporate solder thieves at the downstream end.

- For packages with leads on four sides, the footprint must be placed at a 45° angle to the transport direction of the printed-circuit board. The footprint must incorporate solder thieves downstream and at the side corners.

During placement and before soldering, the package must be fixed with a droplet of adhesive. The adhesive can be applied by screen printing, pin transfer or syringe dispensing. The package can be soldered after the adhesive is cured.

Typical dwell time is 4 seconds at 250 °C.

A mildly-activated flux will eliminate the need for removal of corrosive residues in most applications.

#### Manual soldering

Fix the component by first soldering two diagonally-opposite end leads. Use a low voltage (24 V or less) soldering iron applied to the flat part of the lead. Contact time must be limited to 10 seconds at up to 300 °C.

When using a dedicated tool, all other leads can be soldered in one operation within 2 to 5 seconds between 270 and 320 °C.

## Dual retriggerable monostable multivibrator with reset

74AHC123A;  
74AHCT123A

### Suitability of surface mount IC packages for wave and reflow soldering methods

PACKAGE	SOLDERING METHOD	
	WAVE	REFLOW <sup>(1)</sup>
BGA, LFBGA, SQFP, TFBGA	not suitable	suitable
HLQFP, HSQFP, HSOP, HTQFP, HTSSOP, SMS	not suitable <sup>(2)</sup>	suitable
PLCC <sup>(3)</sup> , SO, SOJ	suitable	suitable
LQFP, QFP, TQFP	not recommended <sup>(3)(4)</sup>	suitable
SSOP, TSSOP, VSO	not recommended <sup>(5)</sup>	suitable

### Notes

- All surface mount (SMD) packages are moisture sensitive. Depending upon the moisture content, the maximum temperature (with respect to time) and body size of the package, there is a risk that internal or external package cracks may occur due to vaporization of the moisture in them (the so called popcorn effect). For details, refer to the Drypack information in the *"Data Handbook IC26; Integrated Circuit Packages; Section: Packing Methods"*.
- These packages are not suitable for wave soldering as a solder joint between the printed-circuit board and heatsink (at bottom version) can not be achieved, and as solder may stick to the heatsink (on top version).
- If wave soldering is considered, then the package must be placed at a 45° angle to the solder wave direction. The package footprint must incorporate solder thieves downstream and at the side corners.
- Wave soldering is only suitable for LQFP, TQFP and QFP packages with a pitch (e) equal to or larger than 0.8 mm; it is definitely not suitable for packages with a pitch (e) equal to or smaller than 0.65 mm.
- Wave soldering is only suitable for SSOP and TSSOP packages with a pitch (e) equal to or larger than 0.65 mm; it is definitely not suitable for packages with a pitch (e) equal to or smaller than 0.5 mm.

### DEFINITIONS

Data sheet status	
Objective specification	This data sheet contains target or goal specifications for product development.
Preliminary specification	This data sheet contains preliminary data; supplementary data may be published later.
Product specification	This data sheet contains final product specifications.
Limiting values	
Limiting values given are in accordance with the Absolute Maximum Rating System (IEC 60134). Stress above one or more of the limiting values may cause permanent damage to the device. These are stress ratings only and operation of the device at these or at any other conditions above those given in the Characteristics sections of the specification is not implied. Exposure to limiting values for extended periods may affect device reliability.	
Application information	
Where application information is given, it is advisory and does not form part of the specification.	

### LIFE SUPPORT APPLICATIONS

These products are not designed for use in life support appliances, devices, or systems where malfunction of these products can reasonably be expected to result in personal injury. Philips customers using or selling these products for use in such applications do so at their own risk and agree to fully indemnify Philips for any damages resulting from such improper use or sale.

# Philips Semiconductors – a worldwide company

**Argentina:** see South America

**Australia:** 3 Figtree Drive, HOMEBUSH, NSW 2140,  
Tel. +61 2 9704 8141, Fax. +61 2 9704 8139

**Austria:** Computerstr. 6, A-1101 WIEN, P.O. Box 213,  
Tel. +43 1 60 101 1248, Fax. +43 1 60 101 1210

**Belarus:** Hotel Minsk Business Center, Bld. 3, r. 1211, Volodarski Str. 6,  
220050 MINSK, Tel. +375 172 20 0733, Fax. +375 172 20 0773

**Belgium:** see The Netherlands

**Brazil:** see South America

**Bulgaria:** Philips Bulgaria Ltd., Energoproject, 15th floor,  
51 James Bourchier Blvd., 1407 SOFIA,  
Tel. +359 2 68 9211, Fax. +359 2 68 9102

**Canada:** PHILIPS SEMICONDUCTORS/COMPONENTS,  
Tel. +1 800 234 7381, Fax. +1 800 943 0087

**China/Hong Kong:** 501 Hong Kong Industrial Technology Centre,  
72 Tat Chee Avenue, Kowloon Tong, HONG KONG,  
Tel. +852 2319 7888, Fax. +852 2319 7700

**Colombia:** see South America

**Czech Republic:** see Austria

**Denmark:** Sydhavnsgade 23, 1780 COPENHAGEN V,  
Tel. +45 33 29 3333, Fax. +45 33 29 3905

**Finland:** Sinikalliontie 3, FIN-02630 ESPOO,  
Tel. +358 9 615 800, Fax. +358 9 6158 0920

**France:** 51 Rue Carnot, BP317, 92156 SURESNES Cedex,  
Tel. +33 1 4099 6161, Fax. +33 1 4099 6427

**Germany:** Hammerbrookstraße 69, D-20097 HAMBURG,  
Tel. +49 40 2353 60, Fax. +49 40 2353 6300

**Hungary:** see Austria

**India:** Philips INDIA Ltd, Band Box Building, 2nd floor,  
254-D, Dr. Annie Besant Road, Worli, MUMBAI 400 025,  
Tel. +91 22 493 8541, Fax. +91 22 493 0966

**Indonesia:** PT Philips Development Corporation, Semiconductors Division,  
Gedung Philips, Jl. Buncit Raya Kav.99-100, JAKARTA 12510,  
Tel. +62 21 794 0040 ext. 2501, Fax. +62 21 794 0080

**Ireland:** Newstead, Clonskeagh, DUBLIN 14,  
Tel. +353 1 7640 000, Fax. +353 1 7640 200

**Israel:** RAPAC Electronics, 7 Kehilat Saloniki St, PO Box 18053,  
TEL AVIV 61180, Tel. +972 3 645 0444, Fax. +972 3 649 1007

**Italy:** PHILIPS SEMICONDUCTORS, Via Casati, 23 - 20052 MONZA (MI),  
Tel. +39 039 203 6838, Fax +39 039 203 6800

**Japan:** Philips Bldg 13-37, Kohnan 2-chome, Minato-ku,  
TOKYO 108-8507, Tel. +81 3 3740 5130, Fax. +81 3 3740 5057

**Korea:** Philips House, 260-199 Itaewon-dong, Yongsan-ku, SEOUL,  
Tel. +82 2 709 1412, Fax. +82 2 709 1415

**Malaysia:** No. 76 Jalan Universiti, 46200 PETALING JAYA, SELANGOR,  
Tel. +60 3 750 5214, Fax. +60 3 757 4880

**Mexico:** 5900 Gateway East, Suite 200, EL PASO, TEXAS 79905,  
Tel. +9-5 800 234 7381, Fax +9-5 800 943 0087

**Middle East:** see Italy

**Netherlands:** Postbus 90050, 5600 PB EINDHOVEN, Bldg. VB,  
Tel. +31 40 27 82785, Fax. +31 40 27 88399

**New Zealand:** 2 Wagener Place, C.P.O. Box 1041, AUCKLAND,  
Tel. +64 9 849 4160, Fax. +64 9 849 7811

**Norway:** Box 1, Manglerud 0612, OSLO,  
Tel. +47 22 74 8000, Fax. +47 22 74 8341

**Pakistan:** see Singapore

**Philippines:** Philips Semiconductors Philippines Inc.,  
106 Valero St. Salcedo Village, P.O. Box 2108 MCC, MAKATI,  
Metro MANILA, Tel. +63 2 816 6380, Fax. +63 2 817 3474

**Poland:** Al.Jerozolimskie 195 B, 02-222 WARSAW,  
Tel. +48 22 5710 000, Fax. +48 22 5710 001

**Portugal:** see Spain

**Romania:** see Italy

**Russia:** Philips Russia, Ul. Usatcheva 35A, 119048 MOSCOW,  
Tel. +7 095 755 6918, Fax. +7 095 755 6919

**Singapore:** Lorong 1, Toa Payoh, SINGAPORE 319762,  
Tel. +65 350 2538, Fax. +65 251 6500

**Slovakia:** see Austria

**Slovenia:** see Italy

**South Africa:** S.A. PHILIPS Pty Ltd., 195-215 Main Road Martindale,  
2092 JOHANNESBURG, P.O. Box 58088 Newville 2114,  
Tel. +27 11 471 5401, Fax. +27 11 471 5398

**South America:** Al. Vicente Pinzon, 173, 6th floor,  
04547-130 SÃO PAULO, SP, Brazil,  
Tel. +55 11 821 2333, Fax. +55 11 821 2382

**Spain:** Balmes 22, 08007 BARCELONA,  
Tel. +34 93 301 6312, Fax. +34 93 301 4107

**Sweden:** Kottbygatan 7, Akalla, S-16485 STOCKHOLM,  
Tel. +46 8 5985 2000, Fax. +46 8 5985 2745

**Switzerland:** Allmendstrasse 140, CH-8027 ZÜRICH,  
Tel. +41 1 488 2741 Fax. +41 1 488 3263

**Taiwan:** Philips Semiconductors, 6F, No. 96, Chien Kuo N. Rd., Sec. 1,  
TAIPEI, Taiwan Tel. +886 2 2134 2886, Fax. +886 2 2134 2874

**Thailand:** PHILIPS ELECTRONICS (THAILAND) Ltd.,  
209/2 Sanpavuth-Bangna Road Prakanong, BANGKOK 10260,  
Tel. +66 2 745 4090, Fax. +66 2 398 0793

**Turkey:** Yukari Dudullu, Org. San. Blg., 2.Cad. Nr. 28 81260 Umraniye,  
ISTANBUL, Tel. +90 216 522 1500, Fax. +90 216 522 1813

**Ukraine:** PHILIPS UKRAINE, 4 Patrice Lumumba str., Building B, Floor 7,  
252042 KIEV, Tel. +380 44 264 2776, Fax. +380 44 268 0461

**United Kingdom:** Philips Semiconductors Ltd., 276 Bath Road, Hayes,  
MIDDLESEX UB3 5BX, Tel. +44 208 730 5000, Fax. +44 208 754 8421

**United States:** 811 East Arques Avenue, SUNNYVALE, CA 94088-3409,  
Tel. +1 800 234 7381, Fax. +1 800 943 0087

**Uruguay:** see South America

**Vietnam:** see Singapore

**Yugoslavia:** PHILIPS, Trg N. Pasica 5/v, 11000 BEOGRAD,  
Tel. +381 11 3341 299, Fax.+381 11 3342 553

**For all other countries apply to:** Philips Semiconductors,  
International Marketing & Sales Communications, Building BE-p, P.O. Box 218,  
5600 MD EINDHOVEN, The Netherlands, Fax. +31 40 27 24825

**Internet:** <http://www.semiconductors.philips.com>

© Philips Electronics N.V. 2000

SCA 69

All rights are reserved. Reproduction in whole or in part is prohibited without the prior written consent of the copyright owner.

The information presented in this document does not form part of any quotation or contract, is believed to be accurate and reliable and may be changed without notice. No liability will be accepted by the publisher for any consequence of its use. Publication thereof does not convey nor imply any license under patent- or other industrial or intellectual property rights.

Printed in The Netherlands

613507/01/pp24

Date of release: 2000 Mar 15

Document order number: 9397 750 06696

*Let's make things better.*

**Philips**  
Semiconductors



**PHILIPS**